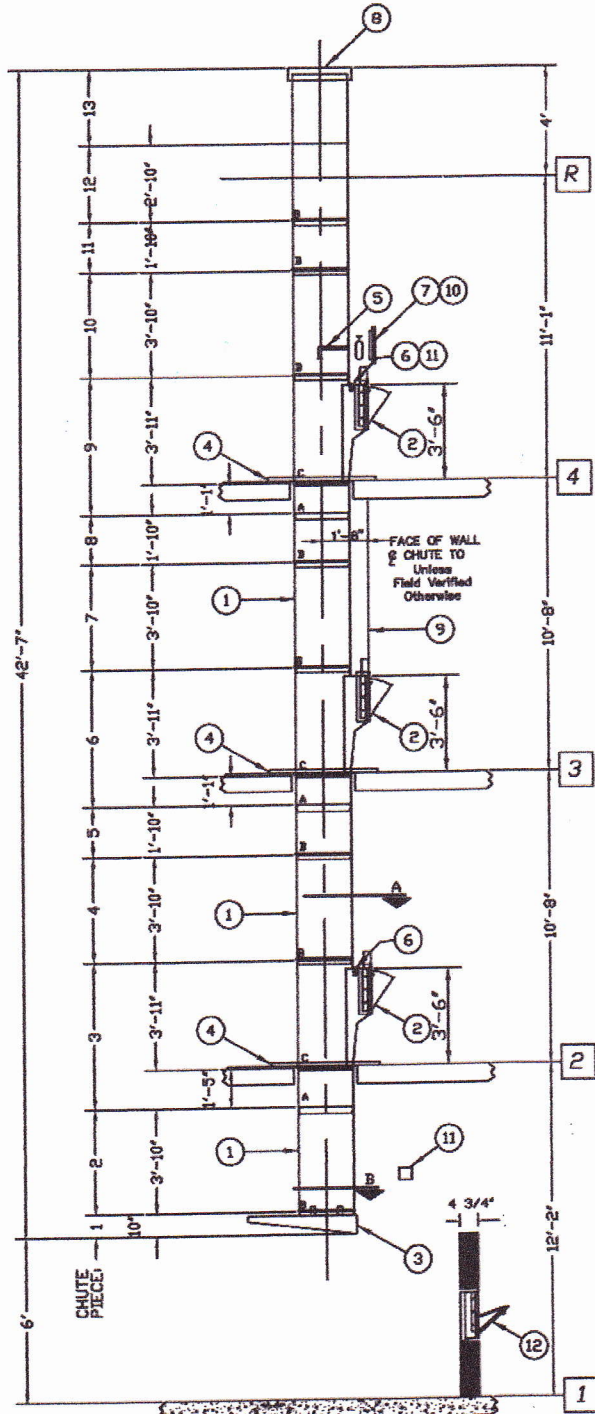
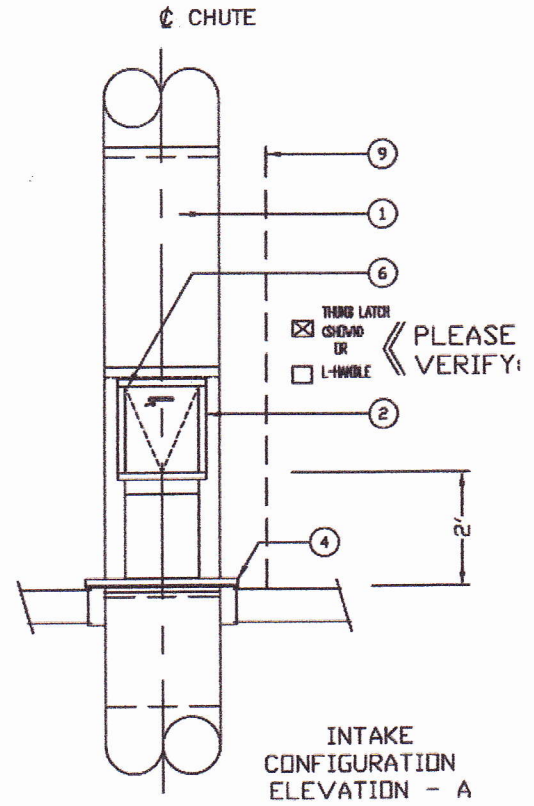


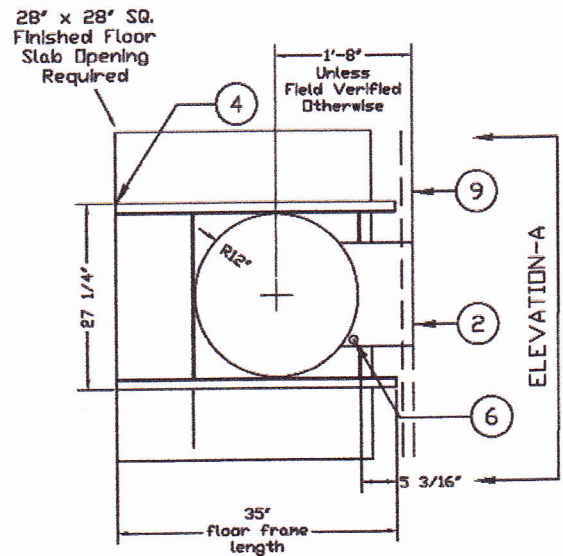
SECTION - B
DISCHARGE PLAN VIEW
TRASH CHUTE DISCHAGE DOOR



CHUTE ELEVATION VIEW
ONE 24" DIAMETER RUBBISH CHUTE
W/ THREE (3) INTAKES



INTAKE CONFIGURATION
ELEVATION - A



INTAKE CONFIGURATION:
PLAN VIEW

